

# TaTrim

New by Ferodom Patented Locking System of Bolted Joints

Ferodom comes to market with the new locking system of bolted joints – **TaTrim** (fig. 1). It is effective (fig. 2), simple, inexpensive. Just put it manually on the tightened nut or bolt, push to the support (fig. 1 and 3) or face to face (fig. 4). Wide application, to wheel locking or flange joints (fig. 5) for example.

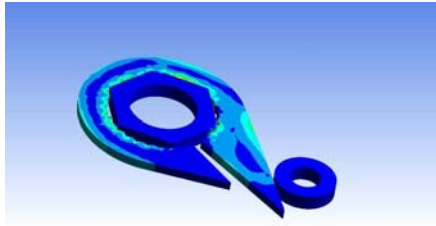


Fig.1 TaTrim in FEM

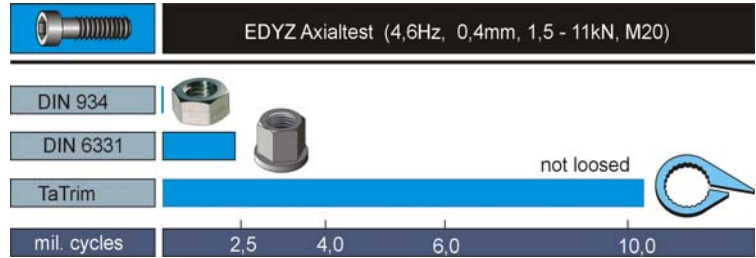


Fig. 2 Vibration test EDYZ

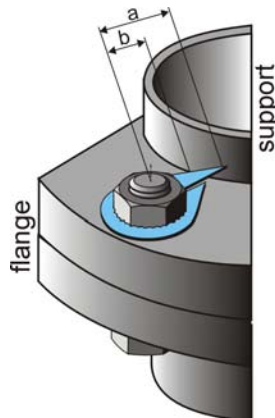


Fig. 3 TaTrim face to support

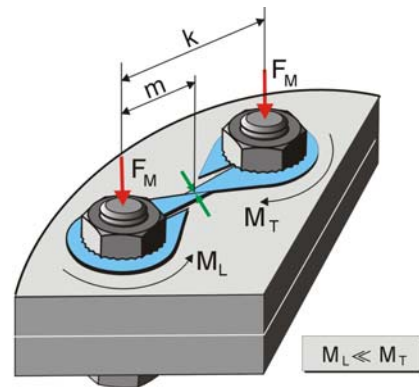


Fig. 4 TaTrim face to face

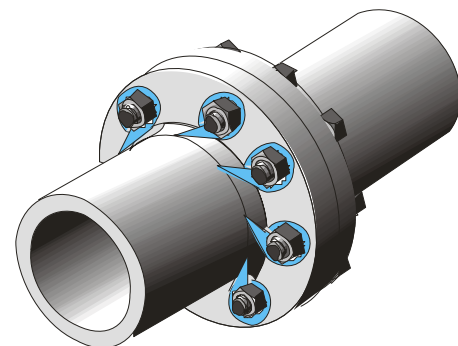


Fig. 5 Examples of use (wheel lock and flange joint)